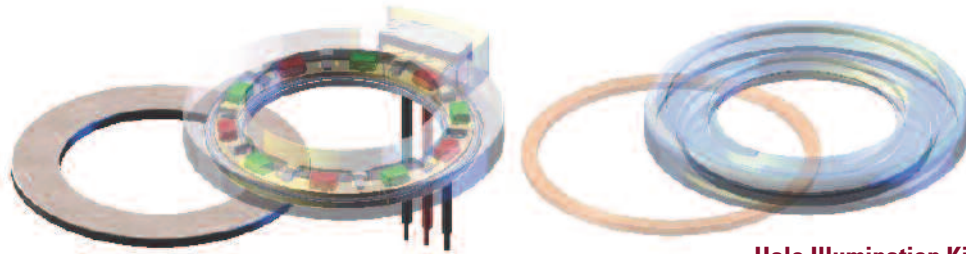


BEYOND DURABLE.™

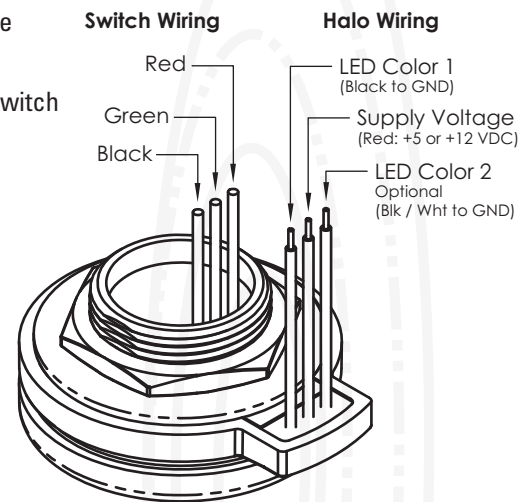
The Halo Illumination kit is comprised of a translucent diffuser, a gasket, LED assembly and a flat washer. You will need to retain and use the original black o-ring and mounting nut that comes with the ActiveMetal switch. Available for use with 5VDC supply voltage and optional dual LED color combinations (controlled external to the switch operation).



Halo Illumination Kit

ELECTRICAL SPECIFICATIONS (HALO KIT ONLY)

- Red, Green, Blue, Yellow or White LEDs
- Dual Color Combinations Available
- LEDs Controlled External to the Switch
- 5 VDC Supply Voltages
- Current Draw: 75mA per Color Illuminated (25° C)
- To Activate LEDs Pull the Appropriate Wire Color to Ground
- Can be used with any ActiveMetal Switch Size, Voltage or Housing Material (except 38mm)



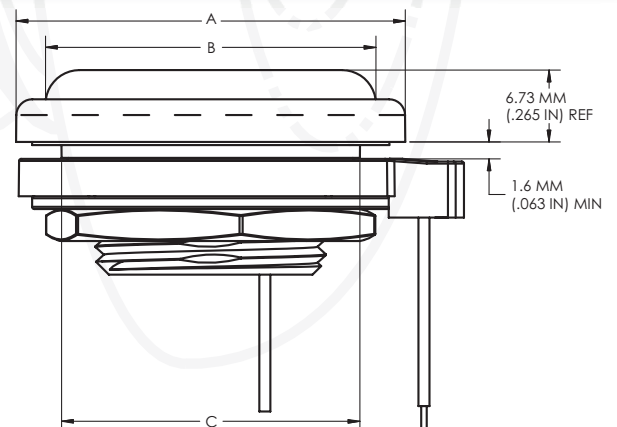
Halo Kit Normal Voltage	5 VDC ±10%
Min Supply Voltage	4.1 VDC
Max Supply Voltage	6.8 VDC
Reverse Voltage	5 VDC
Current Draw (normal voltage)	75 mA

Above table values at room temperature.

MOUNTING SPECIFICATIONS (HALO KIT ONLY)

- Panel Cutouts noted in table to the right
- Panel Thickness: Min. 1.60 mm (0.063") Max. 5.46 mm (0.215")
- Mounting Torque: 5 in lbs
- Operating Temp. Range: -40° C to +85° C
- Ingress Protection: IP67 with panel

ActiveMetal Assemblies	19 mm	22 mm	30 mm
Halo Diffuser Diameter (A)	33 mm (1.299")	36.5 mm (1.437")	46 mm (1.811")
Switch Bezel Diameter (B)	28 mm (1.102")	31 mm (1.220")	39 mm (1.535")
Panel Hole Diameter (C)	25 mm (0.984")	28.3 mm (1.114")	37 mm (1.457")



ActiveMetal Switches sold separately.

This accessory is not currently available for use with the 38mm ActiveMetal Switch.

Design and specifications subject to change without notice due to continuing product improvements

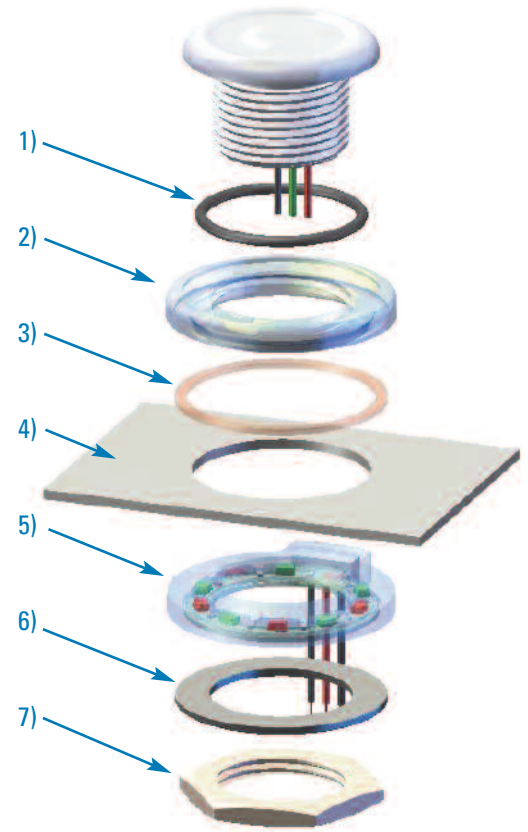
800.544.3354

www.ActiveMetal.com

BEYOND DURABLE.™

ORDER OF ASSEMBLY

- 1) Place o-ring on switch
- 2) Thread diffuser onto switch
(Note: Should be loose above the switch threads)
- 3) Place gasket on diffuser
- 4) Insert switch / diffuser assembly through panel cutout
- 5) Slide LED assembly onto switch
(Note: LED assembly is keyed to the switch's double D-flats on the switch)
- 6) Insert washer and nut
- 7) Tighten nut to 5 in lbs to maintain and IP67 seal.



HALO KIT PART NUMBER MATRIX

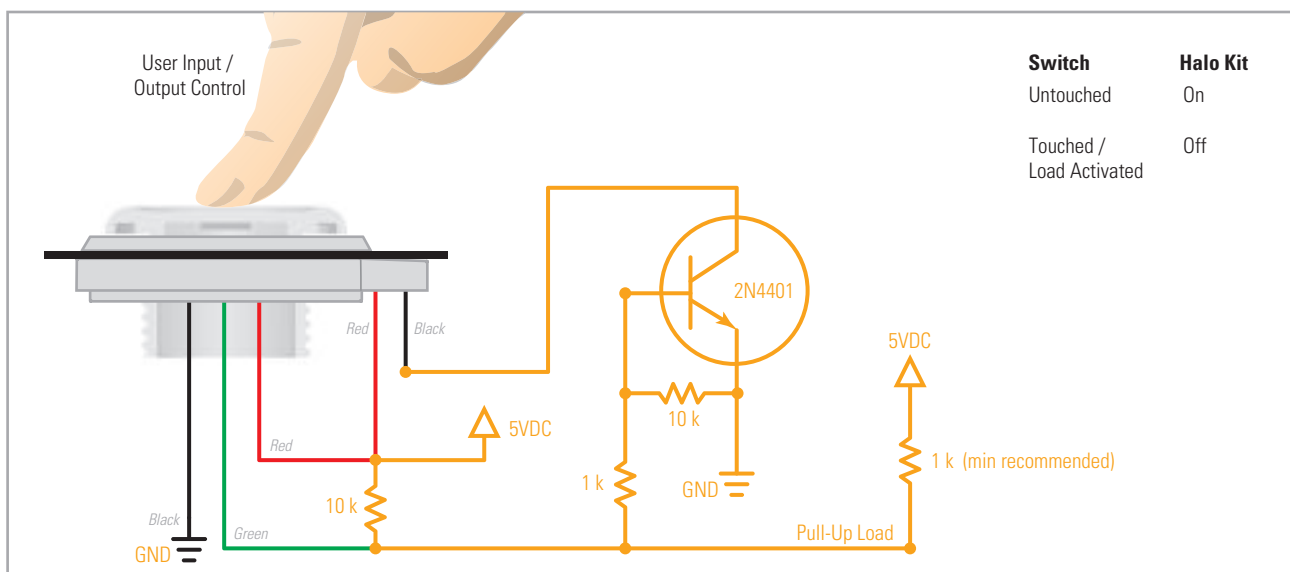
T02-□□□□□	
<p>Switch Size:</p> <p>19 = 19mm</p> <p>22 = 22mm</p> <p>30 = 30mm</p>	<p>Supply Voltage:</p> <p>05 = 5 VDC¹</p>
<p>LED Color (1):</p> <p>1 = Red</p> <p>2 = Green</p> <p>3 = Blue</p> <p>4 = Yellow</p> <p>5 = White</p>	<p>LED Color (2, Optional):</p> <p>0 = None</p> <p>1 = Red</p> <p>2 = Green</p> <p>3 = Blue</p> <p>4 = Yellow</p> <p>5 = White</p>

ActiveMetal Switches sold separately.

¹ Forward current limiting resistor is built-in to LED assembly.

WIRING SCHEMES

5VDC NORMALLY OPEN SWITCH WITH 5VDC HALO KIT



800.544.3354